

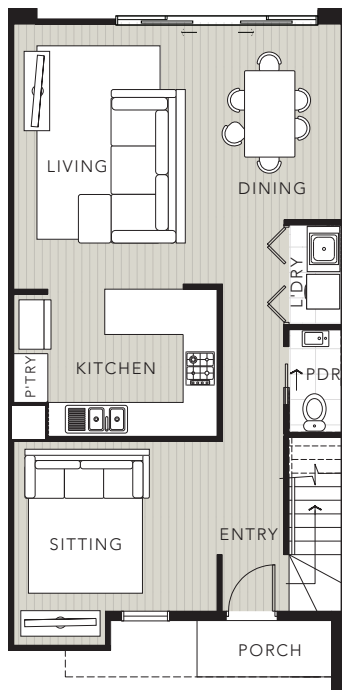
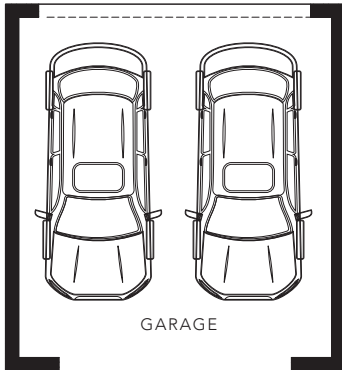
ENCLAVE

MONARCH RELEASE

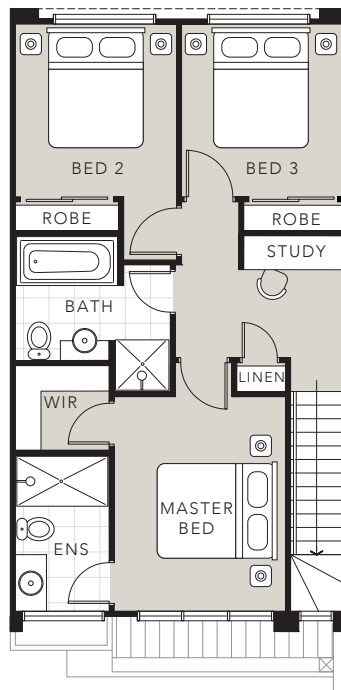
EXCLUSIVELY
BUILT BY

SOHO

LIVING



Ground Floor



First Floor

Oakland-E 3Bed

Lot 443

4 Bed upgrade available

FLOOR AREA: 18.32 SQ

3  2.5  2 



Riverhills

This brochure includes sketches, drawings and artist's impressions which are indicative only and subject to change as the plans and designs for the project are developed and refined. Locations, distances, dimensions and layouts are estimates only and also subject to change. While the publishers have taken care to ensure the details in this brochure give a realistic impression of the development as currently envisaged, the publisher and developer of Riverhills Wollert make no representation or warranty as to the accuracy of the material in this brochure and interested parties must not rely on this material and are advised to make their own enquiries.



DAHUA GROUP

RPM

Oakland-E 3Bed

LOT 443

3  2.5  2 

 MONARCH RELEASE  FUTURE RESIDENTIAL



ARTIST IMPRESSION



Visit the Sales Centre

150 Bindts Rd, Wollert, VIC 3750
Call 0437 197 404 to book an appointment

myriverhills.com.au

SOHO
LIVING



DAHUA GROUP

RPM